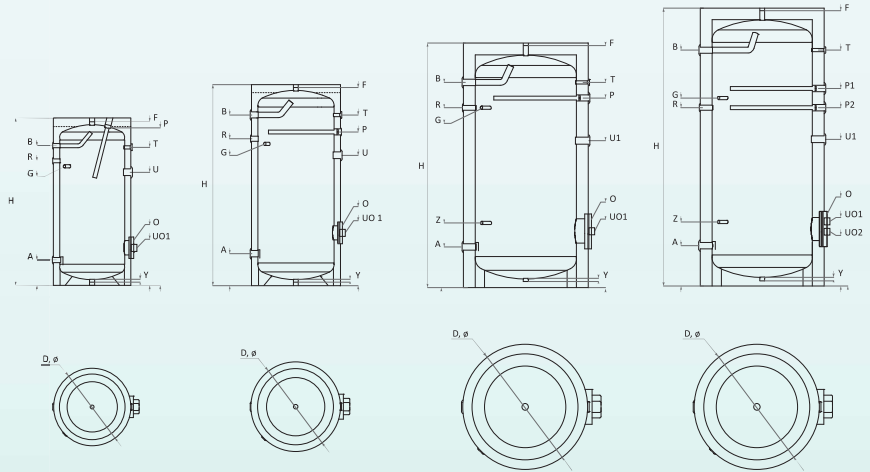


EUROSPEICHER

EuroEcoBoiler
ohne Wärmetauscher
EE-Boi WTO

Technische Daten

vertikal



Allgemeine Parameter

Inhalt ltr.	H mm	C mm	D ø mm	Gewicht kg
150	1070	1210	560	50
200	1340	1460	560	68
300	1420	1580	660	86
400	1470	1670	750	123
500	1720	1890	750	140
750	2000	2030	950	210
1000	2050	2080	1050	245
1500	2310	2370	1050	342

Anschlüsse

Inhalt ltr.	A mm	B mm	G mm Rp 1/2"	F mm Rp 1"	O mm ø	P mm Rp 1 1/4"	R mm	T mm Rp 1/2"	U/Uo mm Rp 1 1/2"	Y mm Rp 1"	Z mm Rp 1/2"
150	Rp 1"/202	Rp 1"/895	788	1070	110x180/309	1070	Rp 3/4"/788	895	630/309	20	
200	Rp 1"/202	Rp 1"/1112	900	1340	110x180/309	1340	Rp 3/4"/987	1138	750/309	20	
300	Rp 1"/215	Rp 1"/1182	1008	1410	110x180/320	1410	Rp 3/4"/1055	1170	850/320	20	
400	Rp 1 1/4"/270	Rp 1 1/4"/1204	950	1480	110x180/450	1079	Rp 1"/1005	1204	900/450	20	
500	Rp 1 1/2"/270	Rp 1 1/2"/1453	1208	1710	110x180/450	1340	Rp 1"/1250	1453	1010/450	20	
750	Rp 1 1/2"/300	Rp 1 1/2"/1630	1435	1950	200x280/450	1435	Rp 1"/1405	1630	1040/450	20	535
1000	Rp 1 1/2"/320	Rp 1 1/2"/1700	1487	2020	200x280/460	1570	Rp 1"/1487	1700	2x1140/460	40	520
1500	2xRp 1 1/2"/320	2xRp 1 1/2"/1975	1487	2320	200x280/460	2x1570/1650	Rp 1"/1487	1975	3x1220/460	40	520